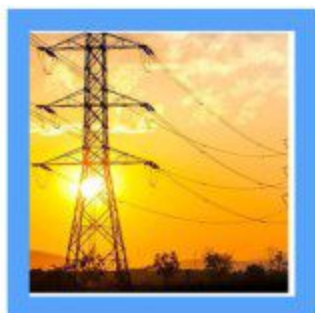


ISO 9001 : 2015

GEO
INDIA



GEO INDUSTRIES

CATALOGUE FOR
HIGH & LOW TENSION
PORCELAIN INSULATORS

GEO INDUSTRIES

MANUFACTURERS & EXPORTER

**Opposite Industrial Estate , G.T.Road
KHURJA --203131 , INDIA**

Telephone No. +91 5738 233401

Fax No. +91 5738 233401

Mobile/WhatsApp/Imo No. +91 983 709 4402

+91 741 749 9410

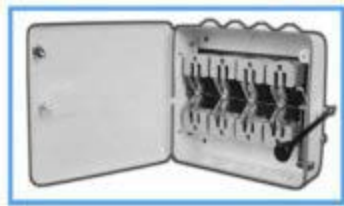
+91 904 555 0397

E - mail geindustries@gmail.com

mdpriya83@gmail.com

www.indiainsulator.com

GEO INDUSTRIES PRODUCTS





33 kV Pin
700 CD



33 kV Pin
580 mm CD



22 kV Pin
480 mm CD



11 kV Pin
230 mm CD



22 kV Post
430 mm CD



Lightning Arrestor
L. A. Shell



Solid Core 11 kV



C.T.
Bushing



11 kV Pin Insulator
280 mm CD Type



11 kV Pin Insulator
230 mm CD Type



11 kV Post
320 mm CD



L. A. Shell



D.O
Solid core



11 kV Nema Type
Pin



22 kV Nema Type
Pin



11 kV Nema Type
Pin



11 kV Line Pin



22 kV Line Pin



22 kV Nema Type
Pin



11 kV Post Shell



11 kV Small Head
230 mm CD



Guy Insulator
Eight Corner



L.T. Pin
Insulator



L.V. Bushing
Set



Spool Insulator



Shackle
Insulator



Shackle
Insulator



Tongue & Clevis
Type Disc Insulator



Ball & Socket
Type Disc Insulator



Transformer
Insulator



Guy
Insulator



Transformer
Insulator



EGG Guy
Insulator



Transformer
Bushing



Dead End Type
Disc Insulator
320 mm CD 45 KN



T&C Type Disc
320 mm CD
45, 70 & 90 KN



B&S Type Disc
320 mm CD
45, 70 & 90 KN



33 kV Round Type
Pin Insulator



L.V.
Bushings

COMPANY PROFILE

Geo Industries started in 1980. Situated at Khurja just 90 km East from Delhi National capital of India is a reputed manufacturer and exporter of high tension and low tension insulators .

Geo Industries offers high quality insulator that are widely ordered by worldwide buyers and industries at large.

They provide cost effective solution and promise you a long and safe product life.

We would also like to mention here that trained and professional Technocrats run our company with minimum 25 - 30 years experience in the related field.

we keep pace with the latest technologies & concepts in the on going market R & D activities is a never ending affair with us.

VISION

Geo Industries diversified in power section , an ISO 9001 certified unit with a vision of creating an enduring benchmark in India for strategic excellence in electro- porcelain products to serve power section in india and globally as well.

QUALITY POLICY

To deliver correct and defect free products to our valued clients on time and to provide high quality products - services , our quality control system is continuously strengthen and upgraded conforming to ISO 9001 standard.

BRAND

Our National and International brands are

For Insulators : **G E O**

For Kit Kat Fuse and Base : **S P E E D**

INTERNATIONAL BUSINESS (EXPORT)

Geo Industries Export best quality products. Our export countries are Bangladesh , Nepal , Sri Lanka , Iran , Iraq , Kuwait , Dubai and Zambia.

Our National Customers

State of India , Tripura (T.S.E.C.L)

State of India , Goa State Electricity Board

State of India , Meghalaya State Electricity Board

State of India , Assam State Electricity Board

India Government Organisation (A.M.U).

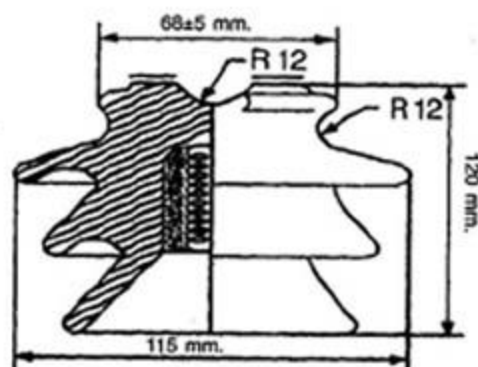
Index

Item Range	Specification
1. 11 kv Pin Insulator	IS: 731, BS: EN60383, IEC : 383
2. 22 kv Pin Insulator	IS: 731, BS: EN60383, IEC : 383
3. 33 kv Pin Insulator	IS: 731, BS: EN60383, IEC : 383
4. Disc Insulator (B & S , T & C Type)	IS: 731, BS: EN60383, IEC : 383
5. 11 kv & 22 kv Post insulator	IS: 2544 & IS: 5350
6. 1.1 kv Transformer Bushing	IS: 3347 (Part I) & IS: 7421
7. 12 kv - 17.5 kv, 24 kv & 36 kv Transformer Bushing	
8. L.T. Shackle Insulators	IS: 1445 , BS: 137
9. L.T. Spool Insulators	IS: 3608 , BS : 137
10. Guy Strain Insulators	IS: 5300
11. L.T. Pin Insulators	IS: 1445 , BS: 137
12. Pictures of Various Insulators	

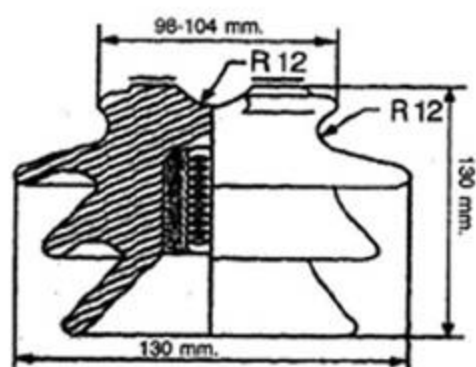
Pin Insulator 11 kV

High Tension Insulator

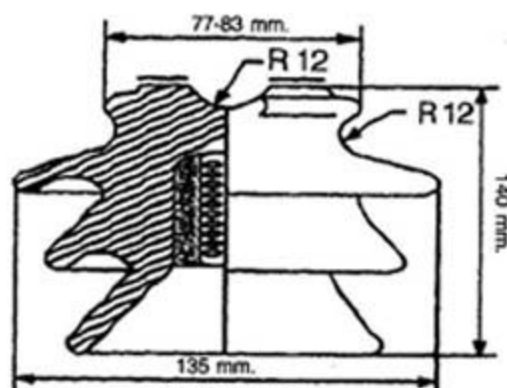
We are manufacturer and exporter of 11kV Pin Insulator



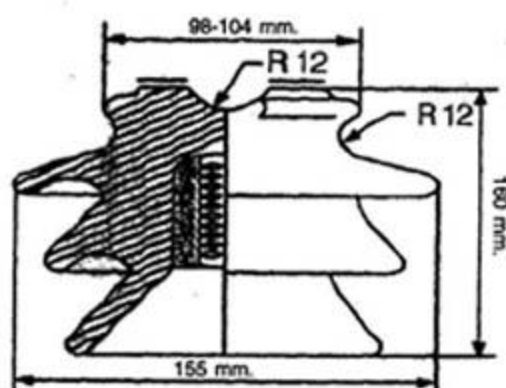
GI/PN/11/07



GI/PN/11/03



GI/PN/11/04



GI/PN/11/06

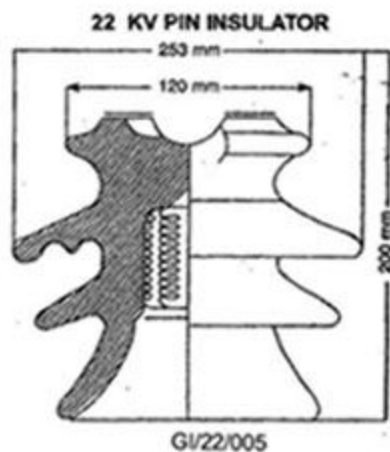
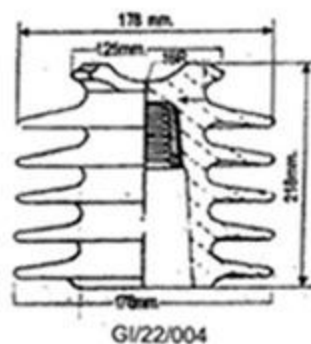
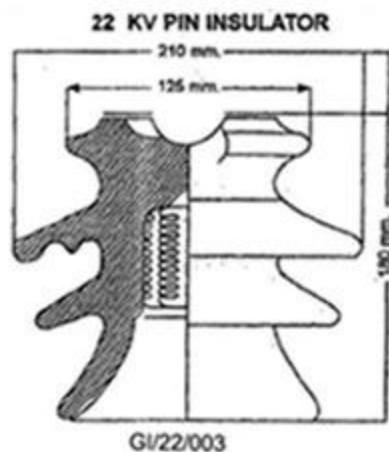
STANDARD PARTICULARS

Drawing No.		GI/PN/11/07	GI/PN/11/03	GI/PN/11/04	GI/PN/11/06
Highest System Voltage	KV	12	12	12	12
Working Voltage	KV	11	11	11	11
Creepage Distance Minimum	mm	230	230	280	320
Visible Discharge Voltage	KV	9	9	9	9
Mechanical Failing Load	KN	5	5	10	10
Power Frequency Withstand Voltage	Wet	KV	35	35	35
	Dry	KV	45	45	50
Power Frequency Flashover Voltage	Wet	KV	40	40	45
	Dry	KV	55	55	60
Impulse Withstand Voltage	KVp	75	75	75	75
Puncture Voltage	KV	105	105	105	105
Lead Thimble as per : 2486 (Part II)		Small	Small	Small	Small
Net Weight (aprox.)	Kg.	1.0	1.2	1.5	2.1
Specification as per IS:731					

Pin Insulator 22 kV

High Tension Insulator

We are manufacturer and exporter of 22 kV Pin Insulator



STANDARD PARTICULARS

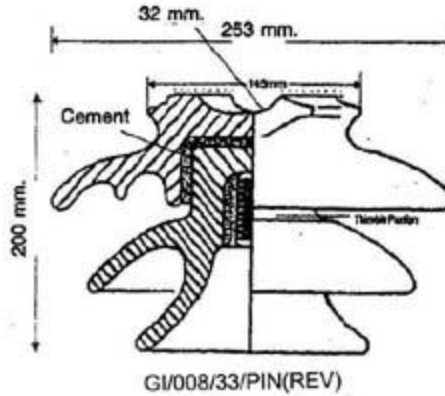
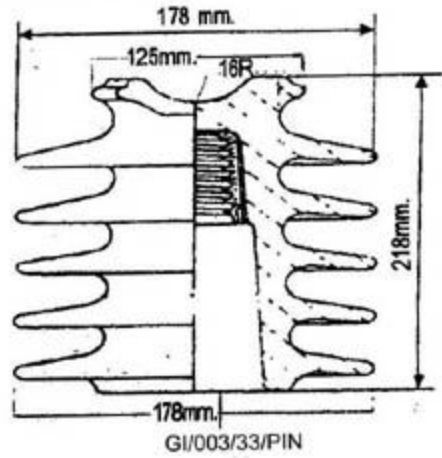
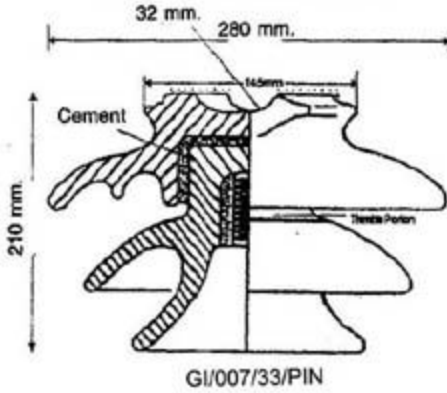
Drawing No.		GI/22/003	GI/22/004	GI/22/005
Highest System Voltage	KV	24	24	24
Working Voltage	KV	22	22	22
Creepage Distance Minimum	mm	430	560	560
Visible Discharge Voltage	KV	18	18	18
Mechanical Failing Load	KN	10	10	10
Power Frequency Withstand Voltage	Wet	KV	55	55
	Dry	KV	75	95
Power Frequency Flashover Voltage	Wet	KV	65	75
	Dry	KV	90	110
Impulse Withstand Voltage	KVp	125	125	125
Puncture Voltage	KV	140	140	140
Lead Thimble as per : 2486 (Part II)		Large	Large	Large
Net Weight (aprox.)	Kg.	4.5	5.0	4.8
Specification as per IS:731				

Pin Insulator 33 kV

High Tension Insulator

We are manufacturer and exporter of 33 kV Pin Insulator

**33 KV PIN INSULATORS
3 PETICOATS (Two Parts)**



STANDARD PARTICULARS

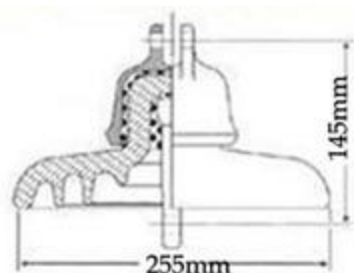
Drawing No.		GI/007/33/PIN	GI/003/33/PIN	GI/008/33/PIN(REV)
Highest System Voltage	KV	36	36	36
Working Voltage	KV	33	33	33
Creepage Distance Minimum	mm	580	580	580
Visible Discharge Voltage	KV	27	27	27
Mechanical Failing Load	KN	10	10	10
Power Frequency Withstand Voltage	Wet	KV	75	75
	Dry	KV	95	95
Power Frequency Flashover Voltage	Wet	KV	85	85
	Dry	KV	110	110
Impulse Withstand Voltage	KVp	170	170	170
Puncture Voltage	KV	180	180	180
Lead Thimble as per : 2486 (Part II)		Large	Large	Large
Net Weight (aprox.)	Kg.	7.5	5.5	5.3

Specification as per IS:731

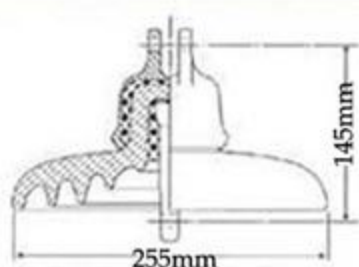
Disc Insulator (T & C , B & S Type)

High Tension Insulator

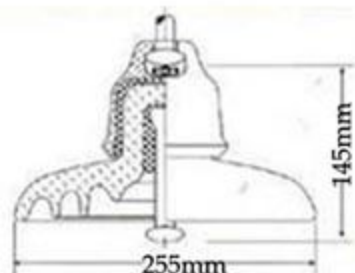
We are manufacturer and exporter of Disc Insulator (T & C , B & S Type)



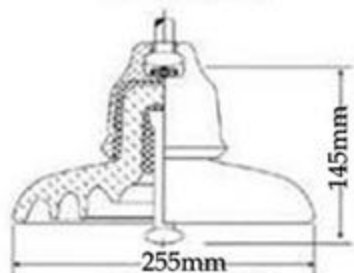
GI - D - 1102 T 45



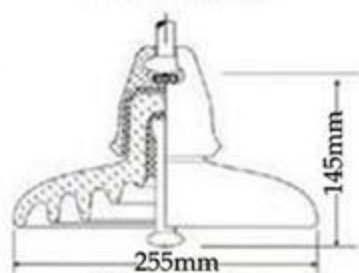
GI - D - 1104 T 70



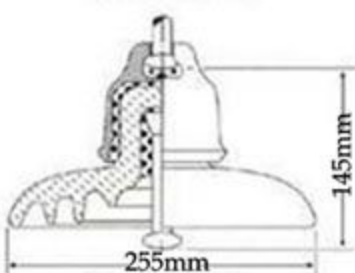
GI - D - 1102 B 45



GI - D - 1104 B 70



GI - D - 1106 B 80



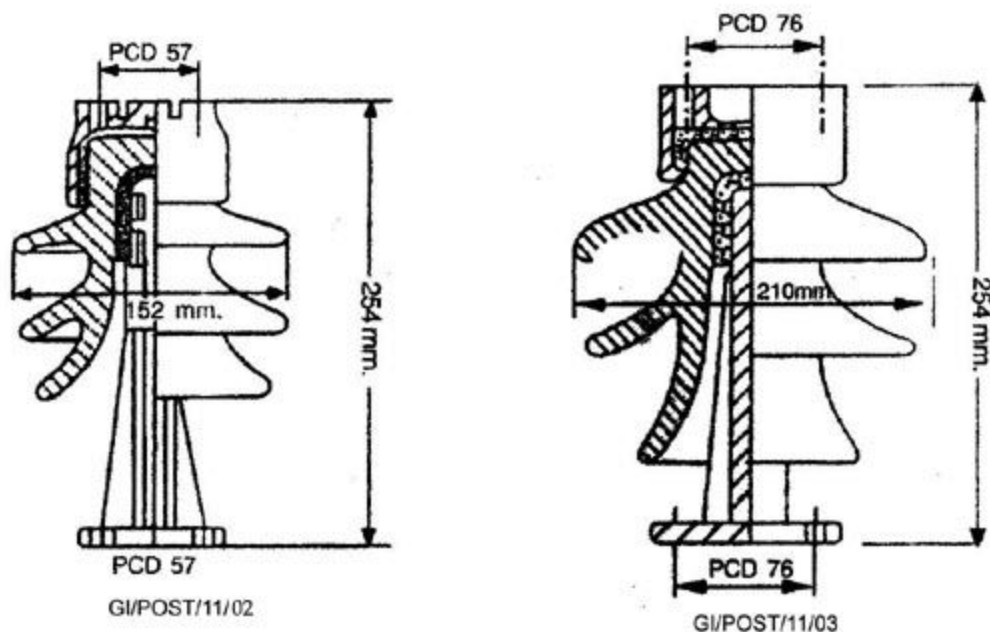
GI - D - 1108 B 90

Drawing No.		GI-D-1102 T 45	GI-D-1104 T 70	GI-D-1102 B 45	GI-D-1104 B 70	GI-D-1106 B 80	GI-D-1108 B 90
Visible Discharge Voltage	KV	9	9	9	9	9	9
Porcelain Diameter	mm.	255	255	255	255	255	255
Spacing	mm.	145	145	145	145	145	145
Creepage Distance	mm.	320	320	320	320	320	320
Electro-mechanical Strength	KN	45	70	45	70	80	90
Power Frequency	Dry KV	65	65	65	65	65	65
Flashover Voltage	Wet KV	55	55	55	55	55	55
Impulse Flashover Voltage	+ive kVp	110	110	110	110	110	110
	-ve kVp	100	100	100	100	100	100
Power Frequency	Dry KV	55	55	55	55	55	55
Withstand Voltage	Wet KV	40	40	40	40	40	40
Impulse Withstand Voltage	KVp	100	100	100	100	100	100
Power Frequency Puncture Voltage	KV	105	105	105	105	105	105
Net Weight (approx.)	Kg.	4.5	4.6	4.5	4.5	5.0	5.0
Ball Socket Size	mmB	16	16	16	16	16	16
Specification as per IS:731, BS: EN 60383, IEC: 383							

Post Insulator 11kV & 22 kV

High Tension Insulator

We are manufacturer and exporter of 11 kV & 22 kV Post Insulator



STANDARD PARTICULARS

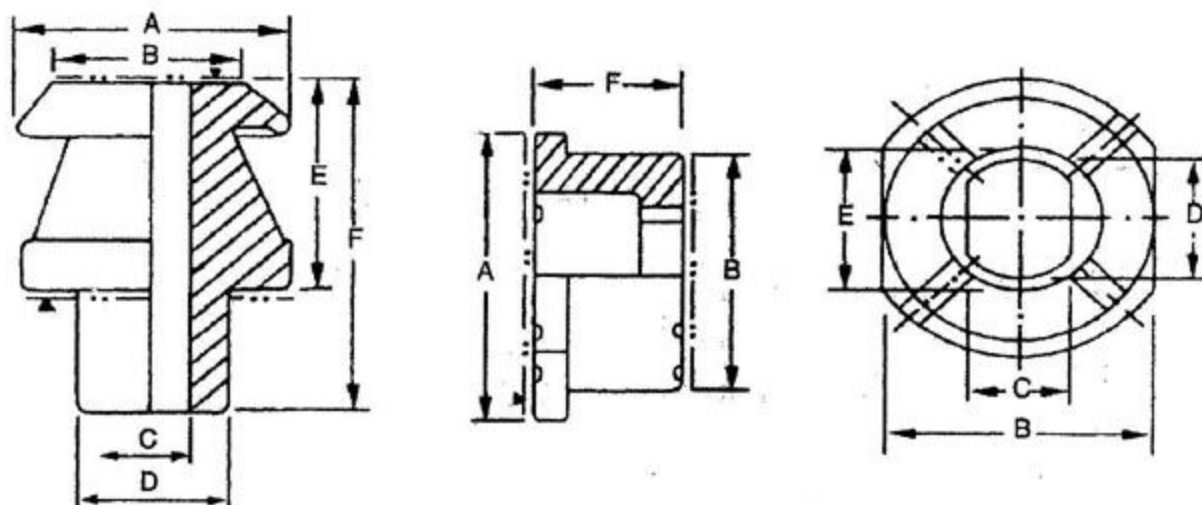
Drawing No.		GI/POST/11/02	GI/POST/11/03
Highest System Voltage	KV	12	24
Working Voltage	KV	11	22
Visible Discharge	KV	9	18
Creepage Distance Minimum	mm	320	430
Cantilever Strength	Upright	N	9000
	Underhand	N	3250
Torsional Strength	Nm	30	68
Compressive Strength	N	32000	40000
Tensile Strength	N	10000	30000
Power Frequency Withstand Voltage	Wet	KV	35
	Dry	KV	35
Power Frequency Flashover Voltage	Wet	KV	40
	Dry	KV	45
Impulse Withstand Voltage	KVp	75	125
Power Frequency Puncture Voltage	KV	1.3x Actual F/O Voltage	1.3x Actual F/O Voltage
Net Weight (aprox.)	Kg.	4.3	7.0

Specification as per IS:2544 & IS: 5350 (Part-III).

Transformer Bushing 1.1 kV

High Tension Insulator

We are manufacturer and exporter of Transformer Bushing



GI- B101 / GI- B102 / GI- B103 / GI- B104 / GI- B105

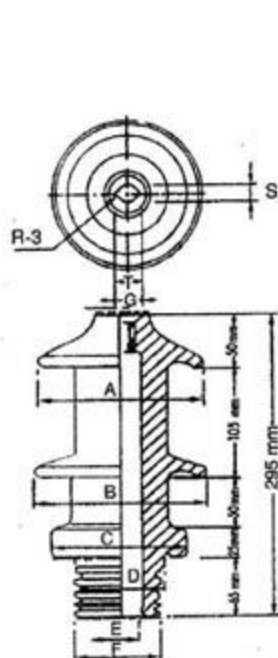
STANDARD PARTICULARS

Drawing No.			GI-B101		GI-B102		GI-B103		GI-B104		GI-B105	
Transformer Rating	KV/Amp.		1.1/250		1.1/630		1.1/1000		1.1/2000		1.1/3150	
Part			I	II	I	II	I	II	I	II	I	II
Dimensions	A	mm.	50	60	70	85	90	110	104	125	125	150
	B	mm.	32	50	47	70	65	90	80	104	100	125
	C(Min.)	mm.	14	20	22	28	32	37	44	51	50	61
	D	mm.	27	26	43	4	53	46	66	64	86	80
	E(Min.)	mm.	45	30	55	48	55	57	55	70	55	90
	F	mm.	70	30	80	30	85	35	85	35	85	35
Power Frequency	Dry	KV	10		10		10		10		10	
Withstand Voltage	Wet	KV	10		10		10		10		10	
Net Weight (approx.)			0.18	0.12	0.36	0.20	0.60	0.40	0.85	0.60	1.20	0.80
Specification as per IS:3347 (Part 1/Sec. 1) & IS-7421												

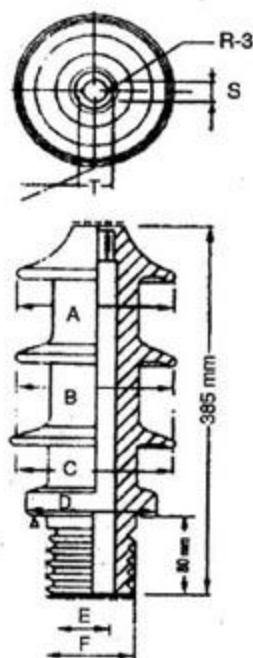
Transformer Bushing 17.5, 24 & 36 kV

High Tension Insulator

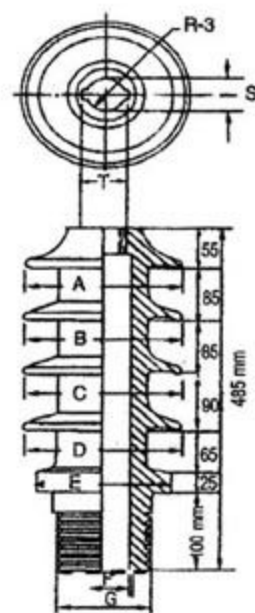
We are manufacturer and exporter of Transformer Bushing



GI-B 1201 /RR -B 1203



GI- B 2401 / GI- B 2403



GI- B3601

STANDARD PARTICULARS

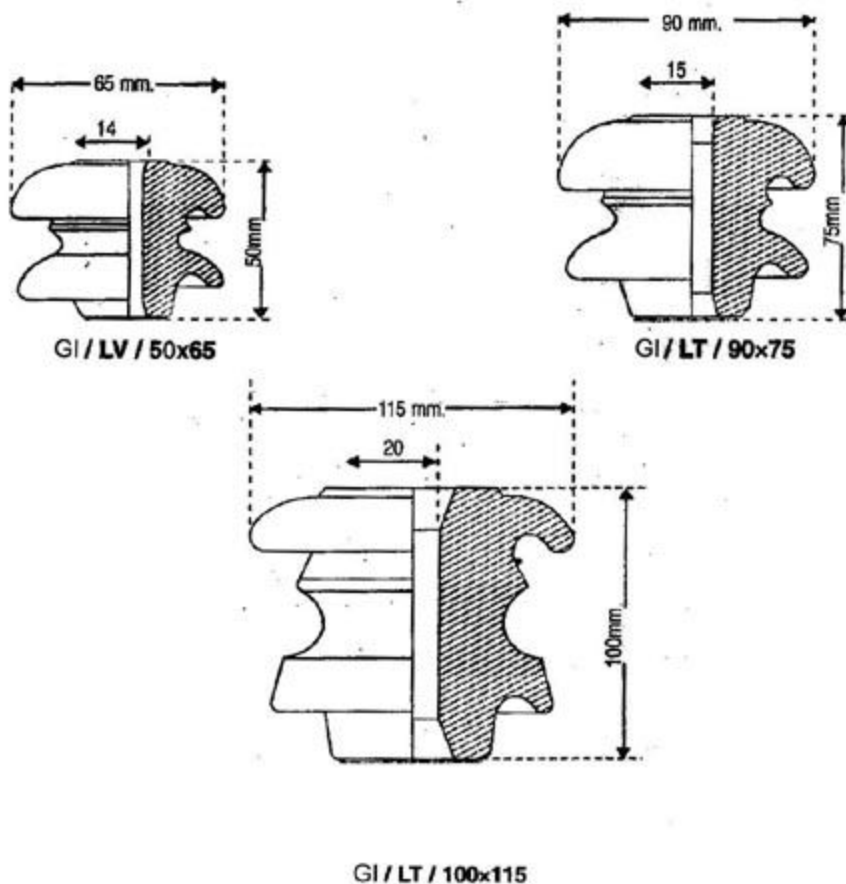
Drawing No.		GI-B 1201	GI-B 2403	GI-B 3601
Transformer Rating	KV/Amp.	12 - 17.5 /630	24/630	36/250
Visible Discharge Voltage	KV	9	18	27
Dimensions Dia	Dia A mm	145	155	145
	Dia B mm	150	160	150
	Dia C mm	128	165	155
	Dia D mm	88	128	155
	Dia E Max mm	39	39	111
	Dia F Min mm	85	88	32
	Dia G Max mm	150	-	74
	S mm	24.5	24.5	15
	T mm	30.5	30.5	22
Power Frequency Withstand Voltage Wet & Dry	KV	40	50	70
Impulse Withstand Voltage	KVp	95	125	170
Net Weight (approx.)	Kg.	4.0	7.0	8.0

Specification as per IS:3347 (Part V/Sec. 1) & IS-2099

Shackle Insulators

Low Tension Insulator

We are manufacturer and exporter of Shackle Insulator



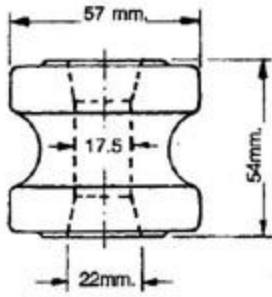
STANDARD PARTICULARS

Drawing No.		GI/LV/50X65	GI/LT/90X75	GI/LT/100X115
Type		-	IS Type 1	IS Type 2
Creepage Distance		mm	50	63
Power Frequency Withstand Voltage	Wet	KV	6	10
	Dry	KV	15	23
Power Frequency Puncture Voltage		KV	1.3xActual Dry F.O.V.	1.3xActual Dry F.O.V.
Mechanical Strength, Transverse Strength		KN	7.7	11.5
Net Weight (approx.)		Kg.	0.25	0.5
Specification IS:1445				

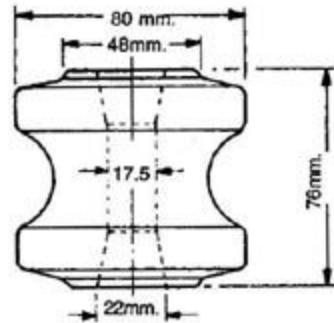
Shackle & Spool Insulator

Low Tension Insulator

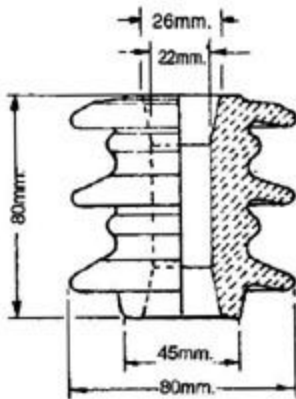
We are manufacturer and exporter of Shackle & Spool Insulator



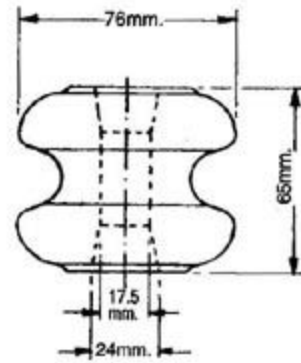
GI-S 54x57



GI-S 76x80



GI-S 80x80



GI-S 65x76

STANDARD PARTICULARS

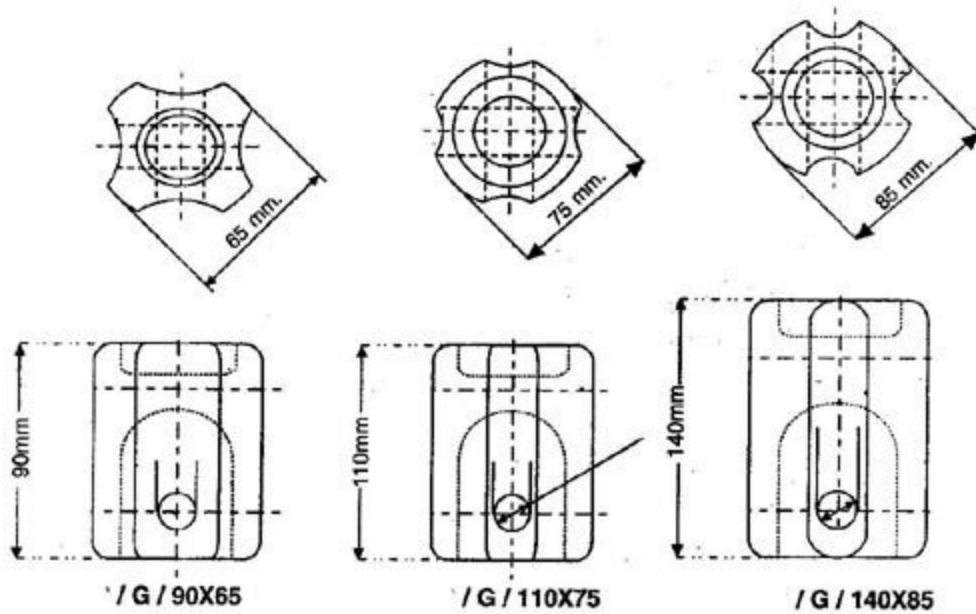
Drawing No.		GI-S 54 X 57	GI-S 76 X 80	GI-S 80 X 80	GI-S 65 X 76	
Type		SH.L.V.1	SH.L.V.2	DIN	BS	
Power Frequency Withstand Voltage	Wet KV	8	12	10	12	
	Dry KV	20	25	20	25	
Mechanical Strength, Transverse Strength		KN	9	20	13.5	15
Net Weight (approx.)		Kg.	0.2	0.6	0.5	0.5

Specification : DIN, As : 3608

Guy Strain Insulators

Low & High Tension Insulator

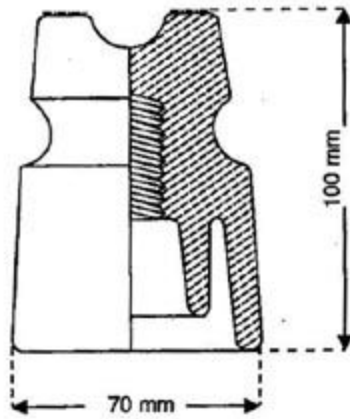
We are manufacturer and exporter of Guy Strain Insulators



STANDARD PARTICULARS

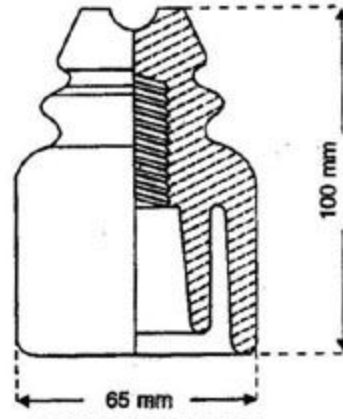
Drawing No.		GI/G/ 90 X 65	GI/ G/ 110 X 75	GI/G/ 140 X 85
Designation		A	B	C
Creepage Distance mm		41	48	57
Power Frequency Withstand Voltage	Wet KV	8	9	13
	Dry KV	18	22	27
Tensile Strength		44	53	88
Net Weight (approx.) Kg.		0.45	0.70	1.0

Specification : DIN, As : 5300

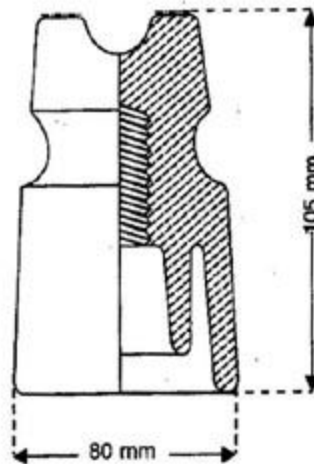


GI / LV / PN 70x100

R 10



GI / LV / PN 65x100



GI / LV / PN 80x105

STANDARD PARTICULARS

Drawing No.		GI/LV/PN 70 X 100	GI/LV/PN 65 X 100	GI/LV/PN 80 X 125
Type		IS Type 1 (amended)	IS Type 3	IS Type 1
Cantilever Strength		Kg.(KN)	3.5	3.5
Power Frequency Withstand Voltage	Wet	KV	23	23
	Dry	KV	10	10
Power Frequency Puncture Voltage		KV	1.3xActual Dry F.O.V.	1.3xActual Dry F.O.V.
Net Weight (approx.)		Kg.	0.5	0.5
Specification IS:1445, As : 1137 & 3686				